

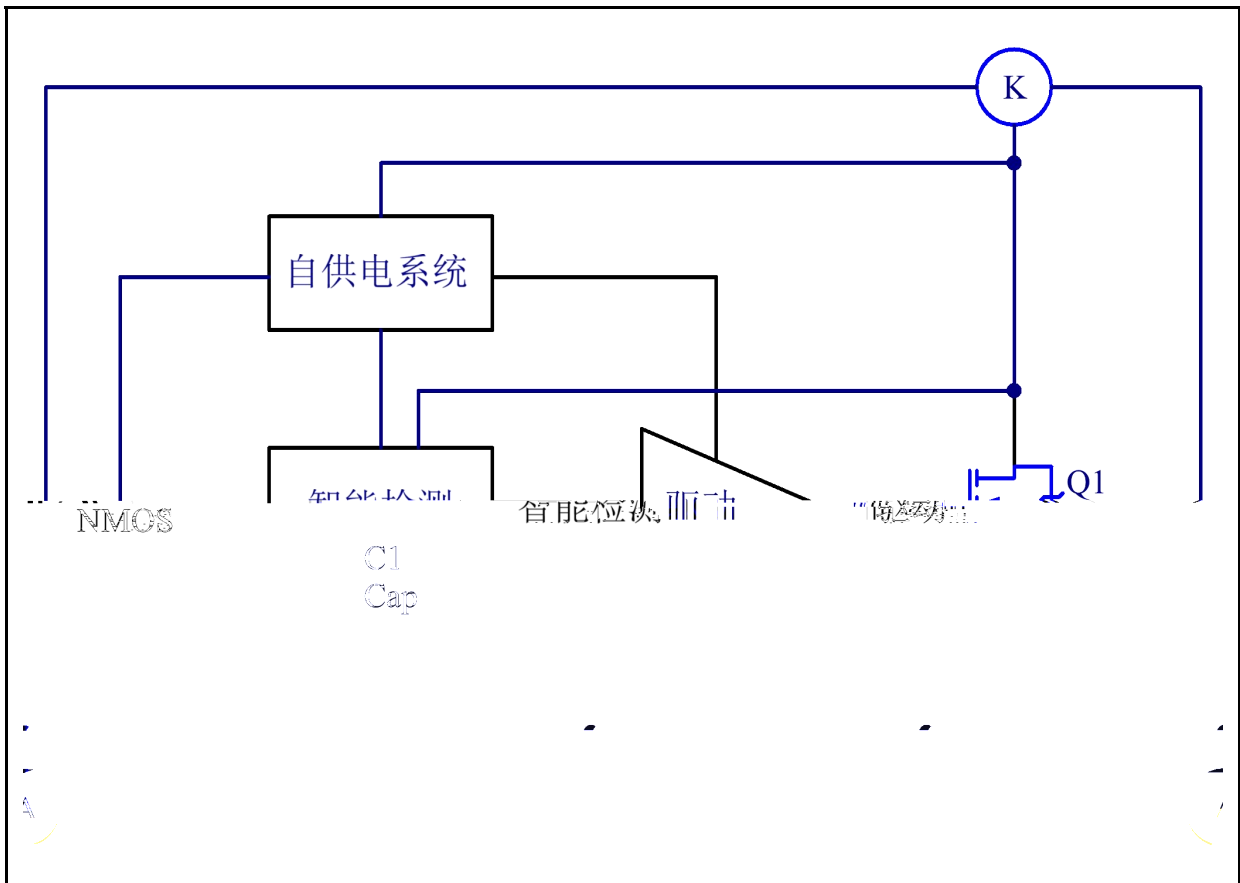
DK

M

DK5V60R20S	85-265VAC	9V, 2.4A

DK

A





# DK5V60R20S

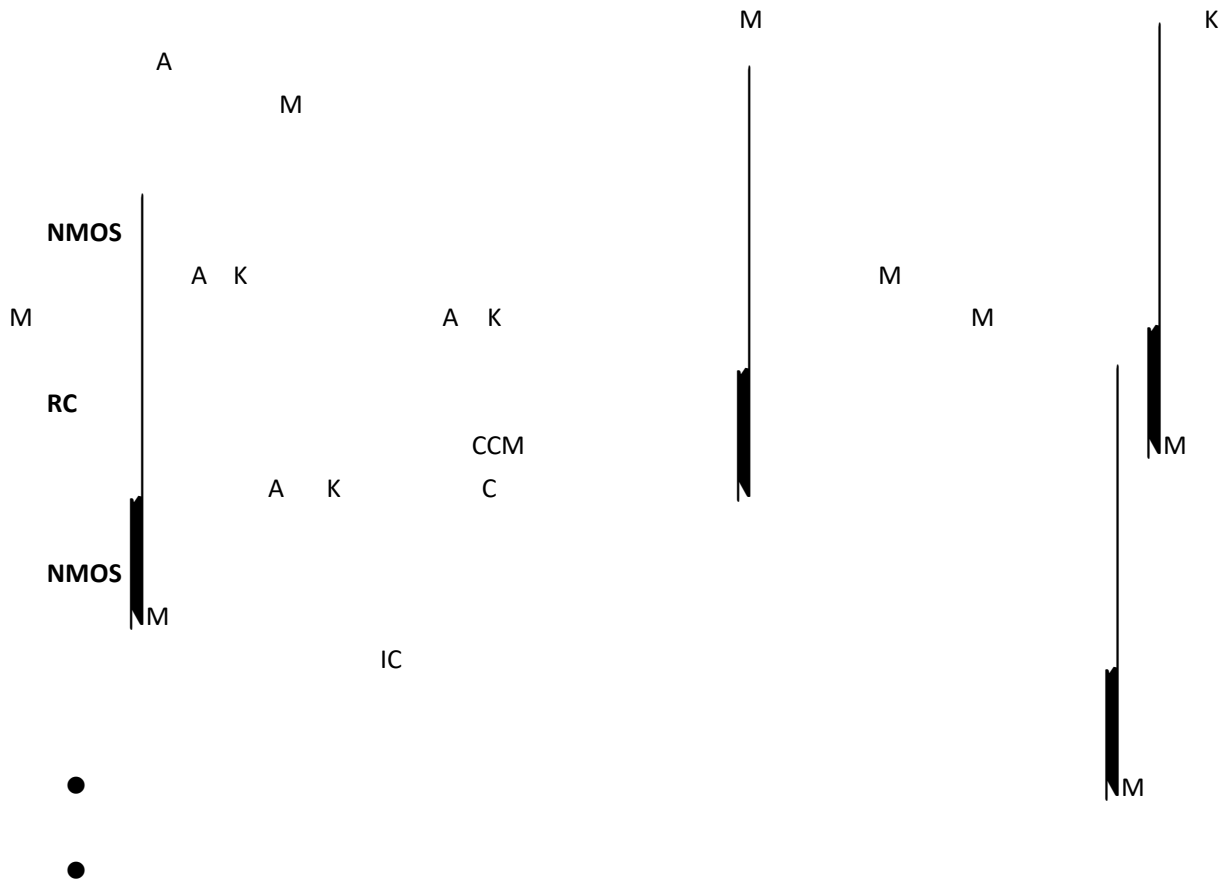
NM	B D				
M	Id CDC				A
NM	Id DC				A
M	DMA				
	JA				
	JC				
	G				
	J				

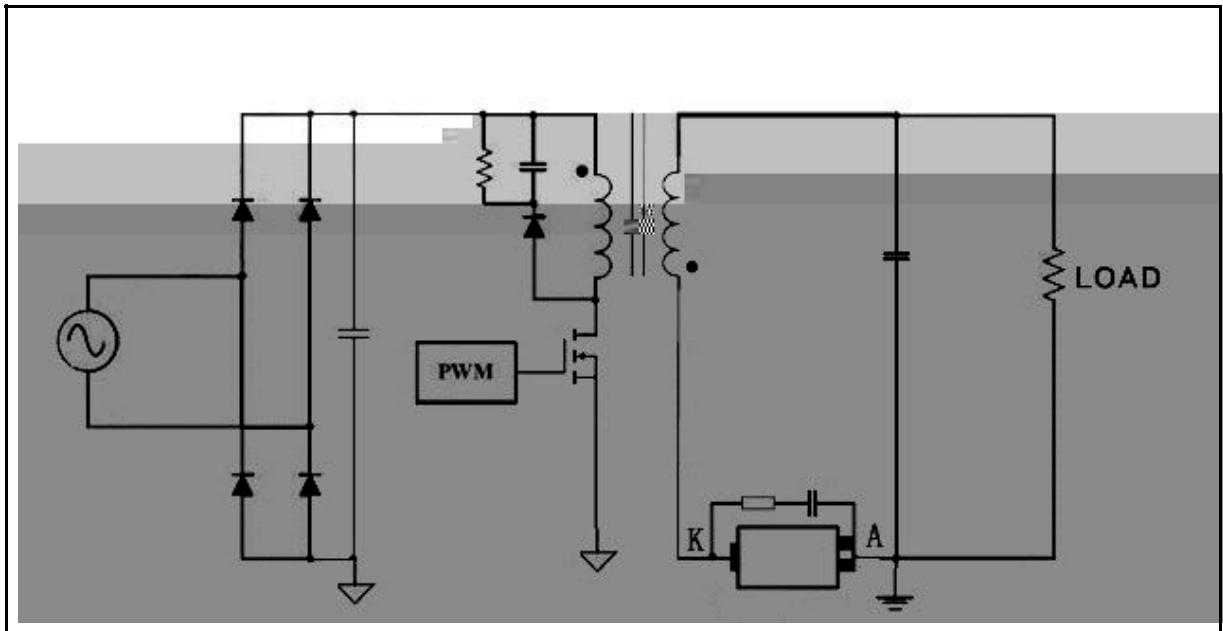
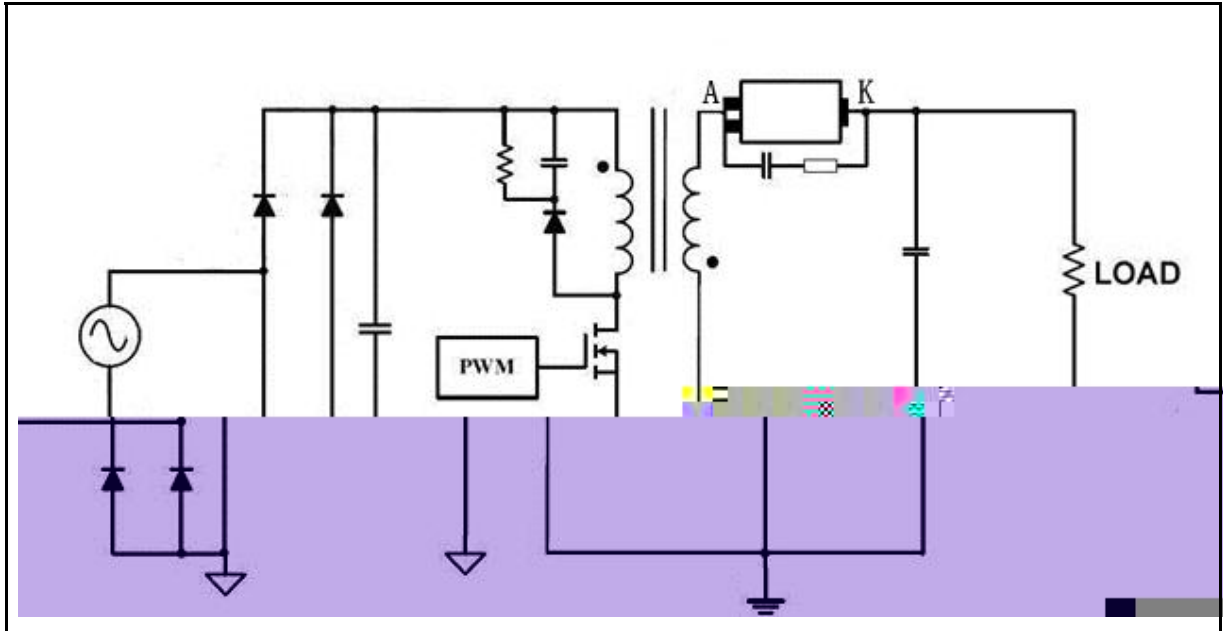
A

	CC					
	CC FF					
	&					
M						
M						
M	D					
M	FF					
M	MA					
M	MI					
M	FF MI					
	D					
	F MA					KH
MOS						
NM	D					

A

DK

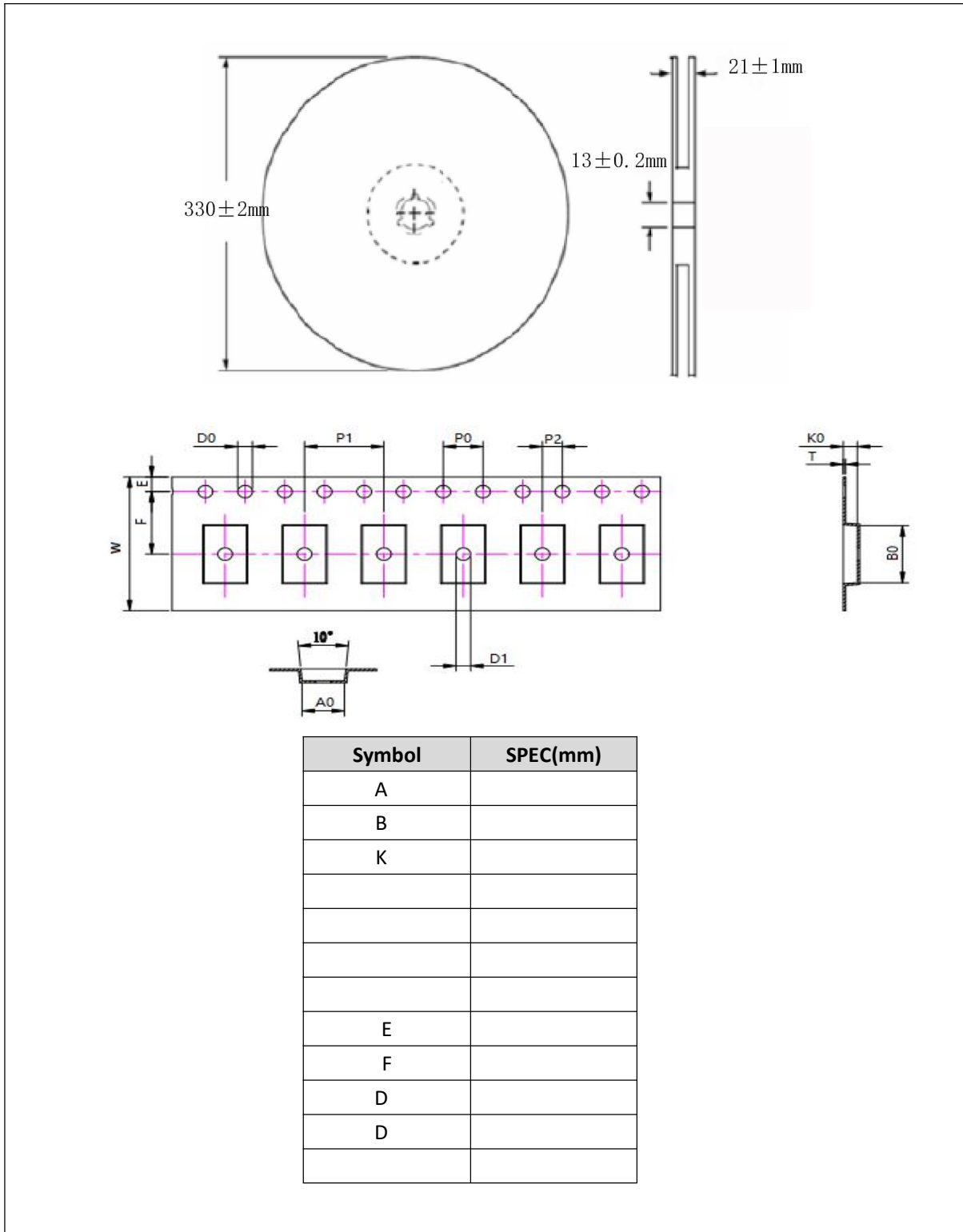


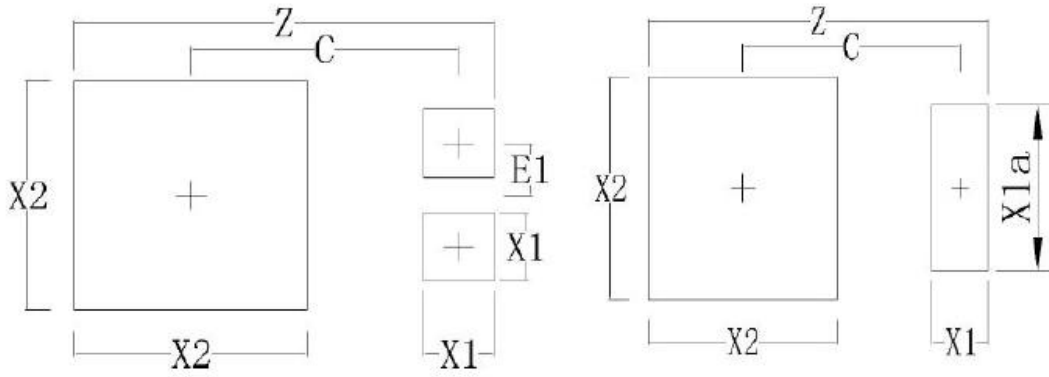




**DK5V60R20S**

---





Symbol	Dimensions In Millimeters
C	
E	





- 
- 
- 
- 
- 
- 
- 
  
-