



一级代理商：

深圳市弗瑞鑫电子有限公司

地址：深圳市宝安区西乡大道302号金源商务大厦B座三楼

frxelec



Feature

Decision

3. Application Range

4. Function. 4

5. Abol e Ma im m Ra ing (Ta=25)

Pa ame e		S mbol	Ra ed Val e	Uni



6. Electrical Optical Characteristics at $T_a=25\text{ C}$

Parameter	Symbol	Min	T.*	Max	Unit	Condition
-----------	--------	-----	-----	-----	------	-----------



7. O de Info ma ion

Pa N mbe

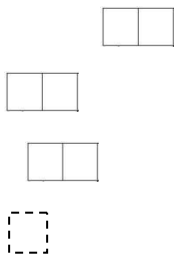
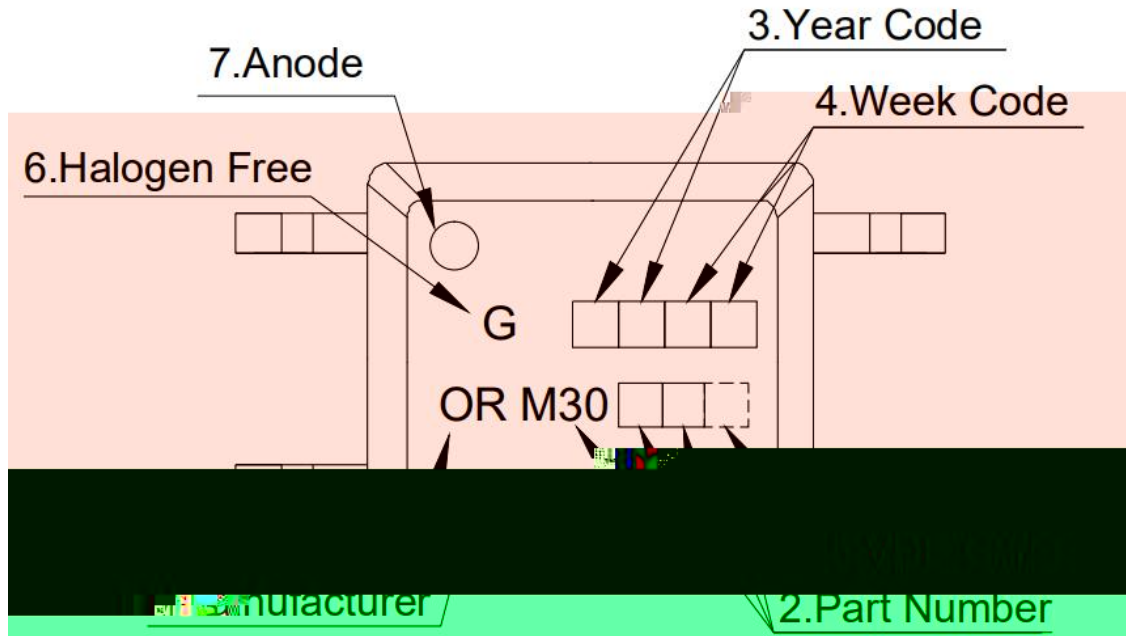
OR-M302X-W-Y-Z

o OR-M305X-W-Y-Z

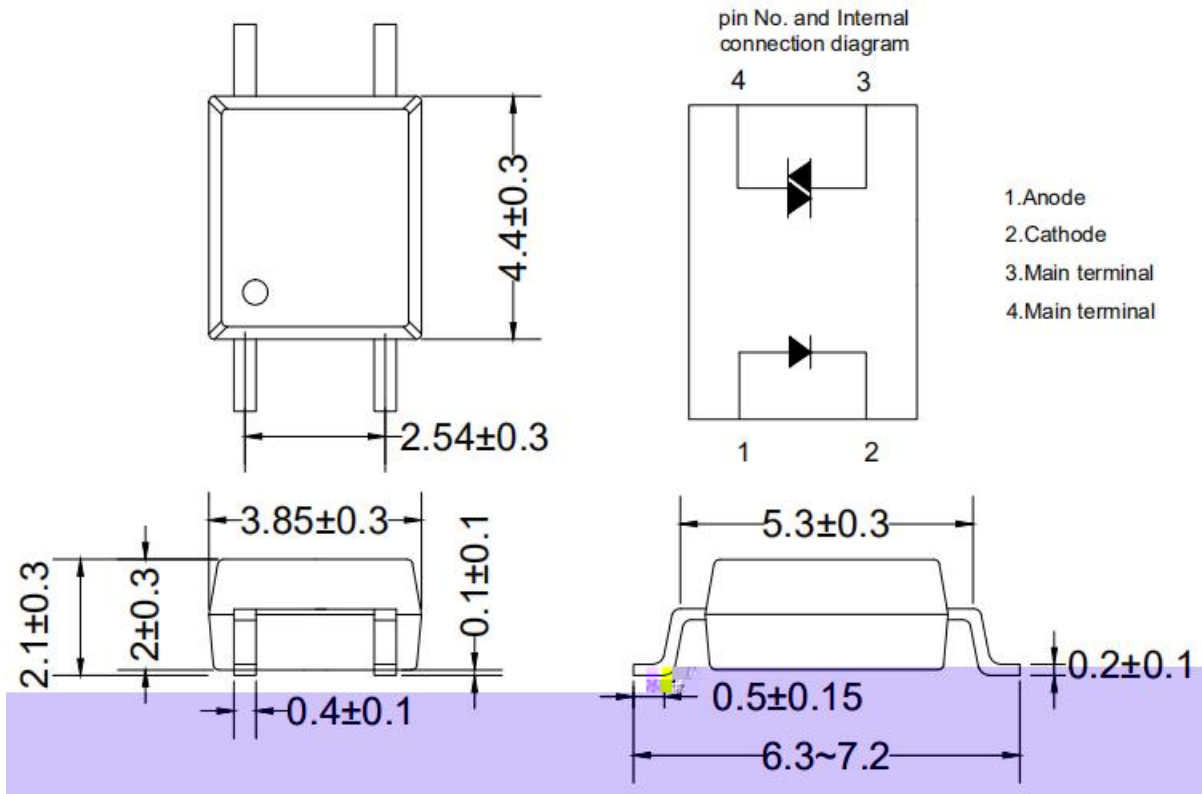
No e

O ion	De c i ion	Packing an i

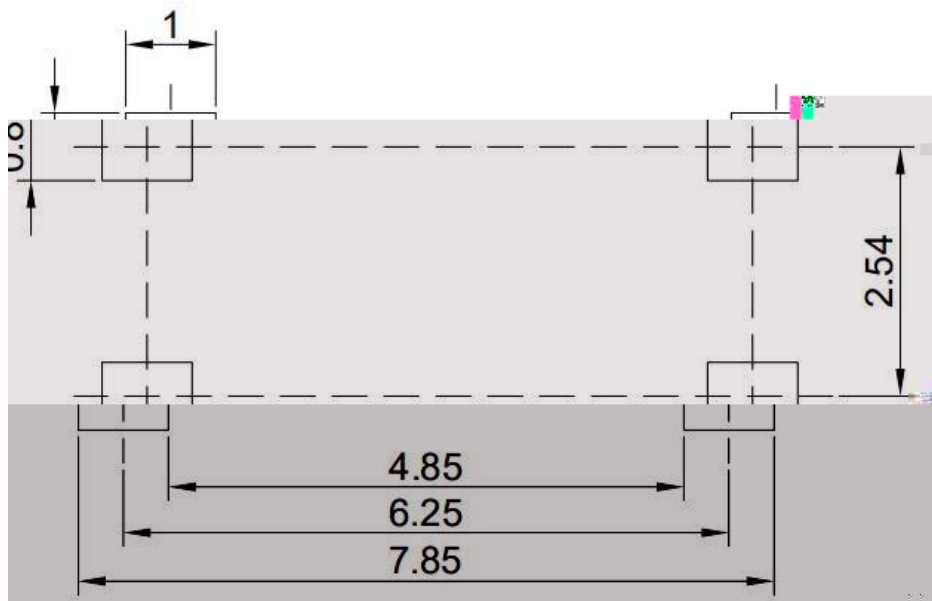
8. Naming Rule



9. Package Dimension

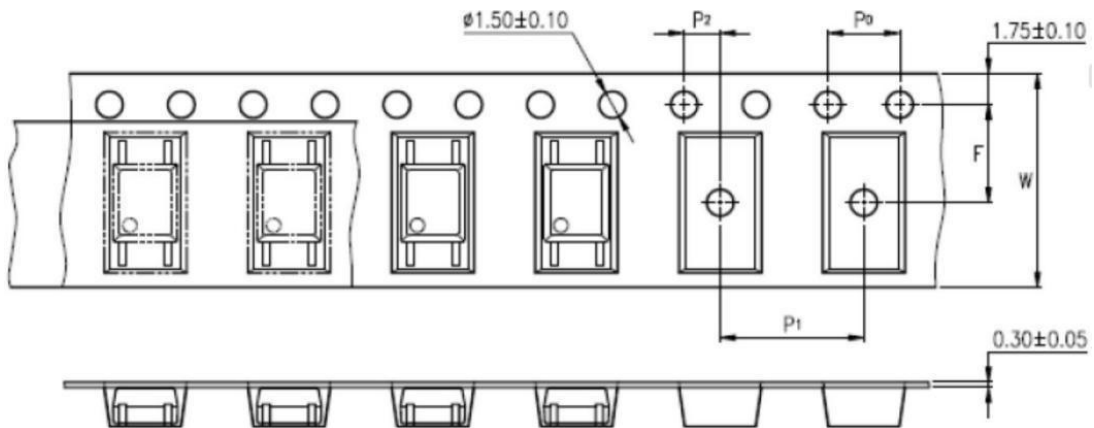
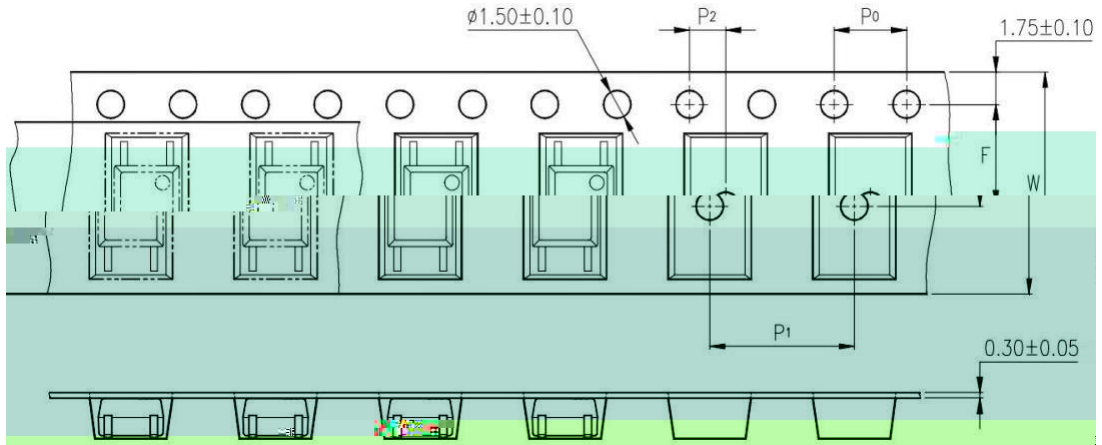


10. Recommended Foot Print Pattern (Mo n Pad)



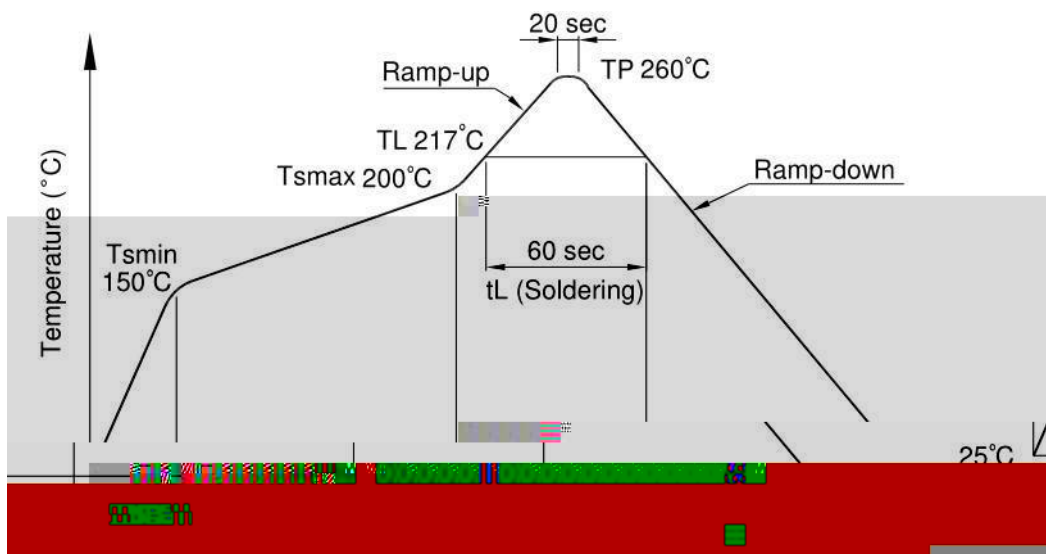
ni mm

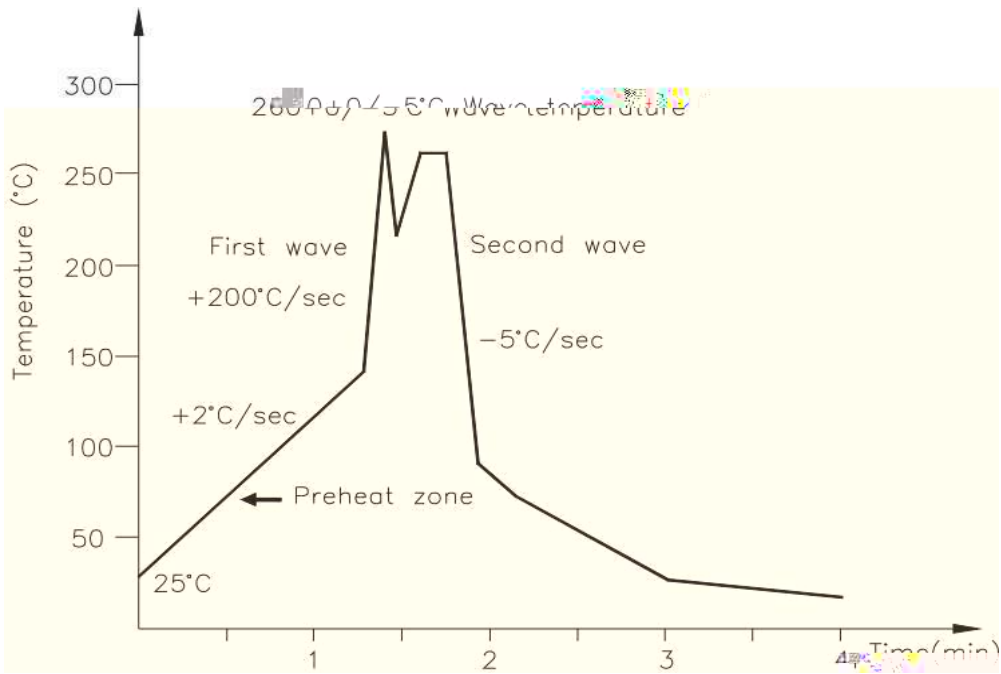
11. Ta ing Dimen ion



13. Temperature Profile Of Soldering

Profile Item	Condition





--	--

14. CHARACTERISTICS CURVES (TYPICAL PERFORMANCE)

Fig.1 Forward current vs Ambient temperature

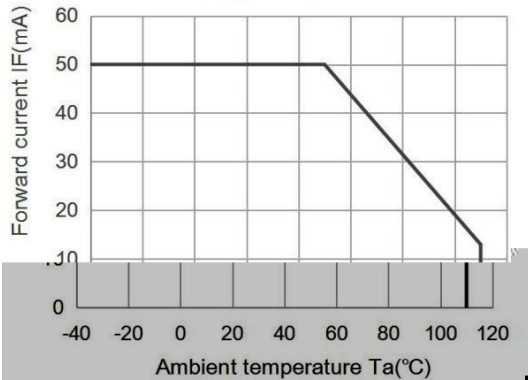


Fig.2 On-state current vs. Ambient temperature

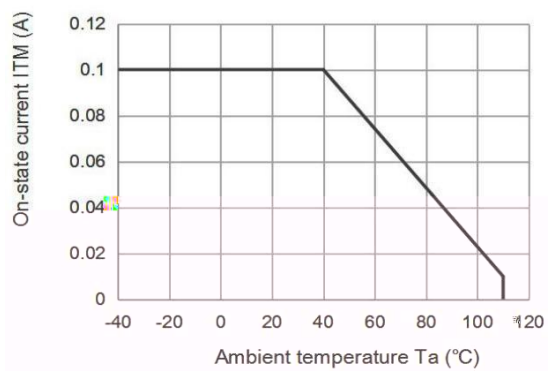


Fig.3 Minimum Trigger Current vs. Ambient temperature

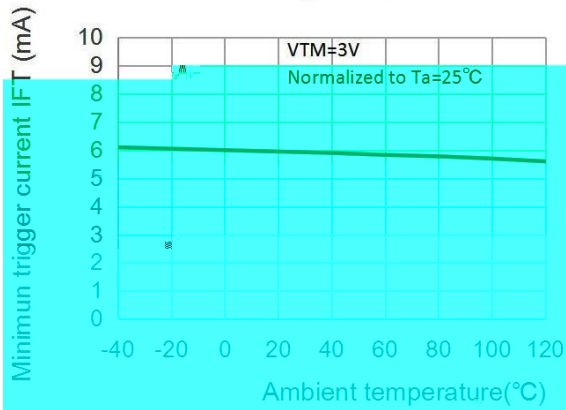


Fig.4 Forward current vs. Forward voltage

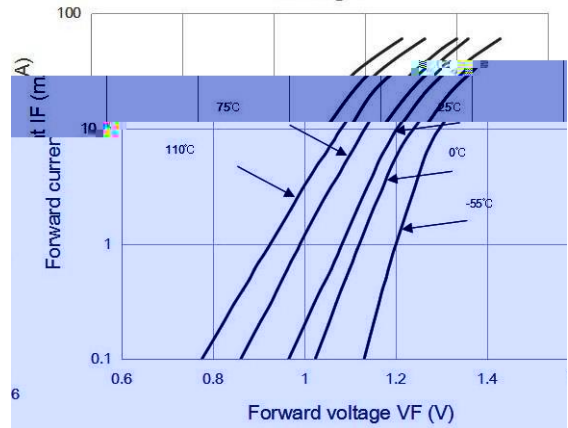


Fig.5 On-state voltage vs. Ambient temperature

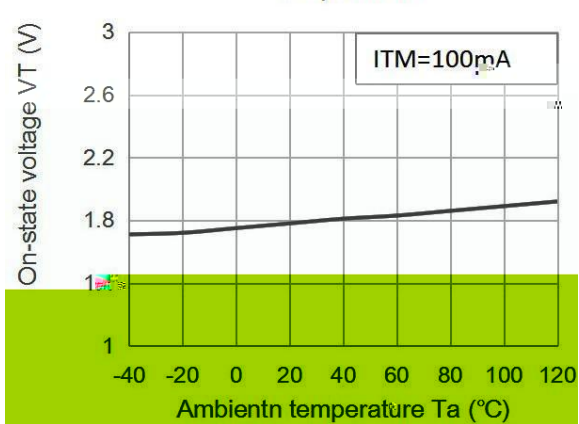


Fig.6 Holding current vs. Ambient temperature

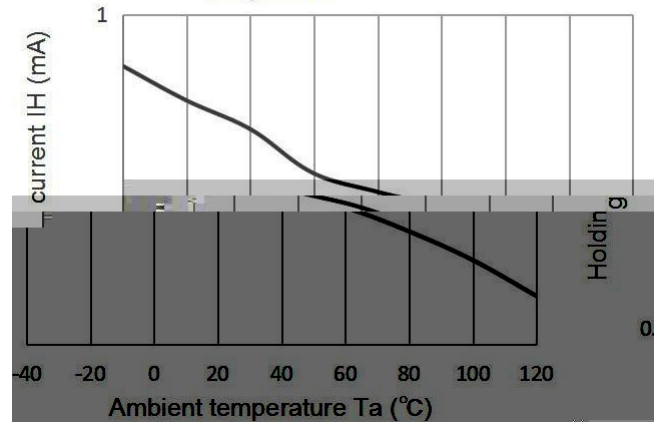


Fig.7 Repetitive peak off-state current

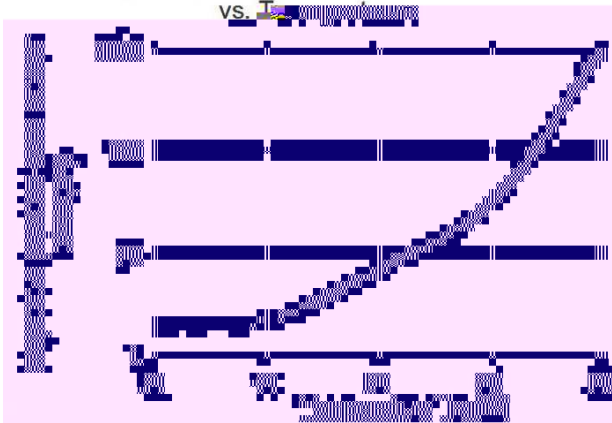
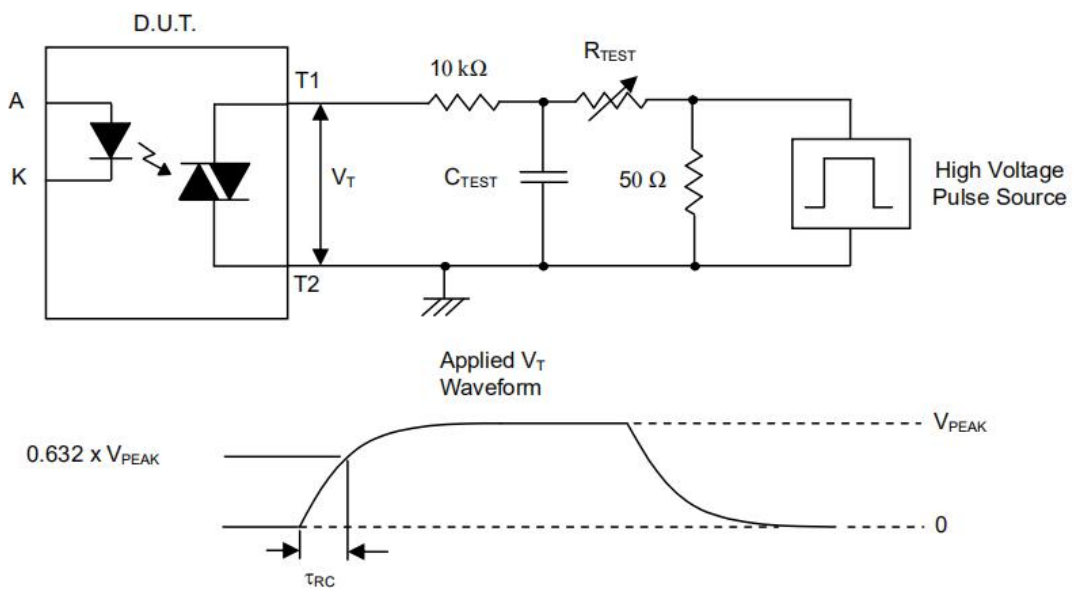
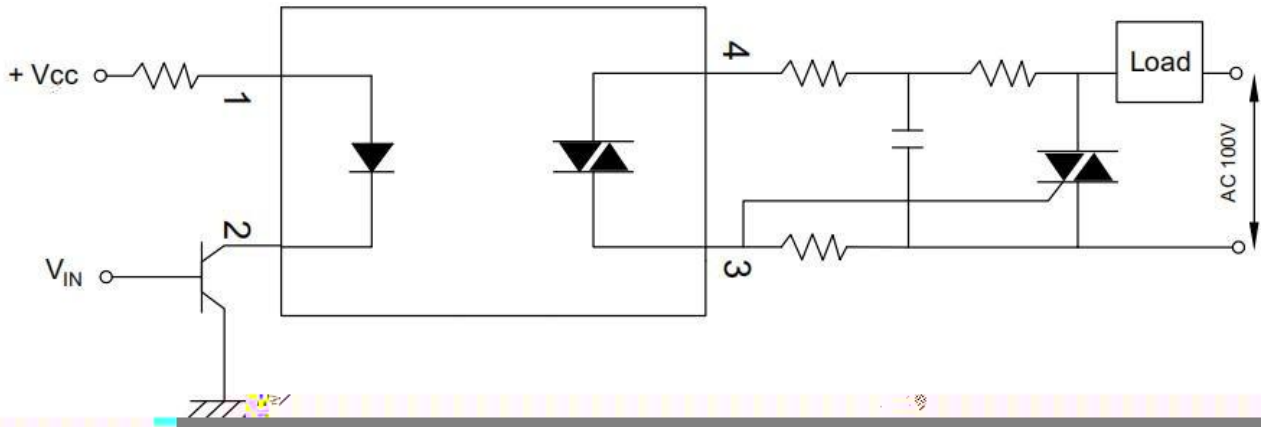
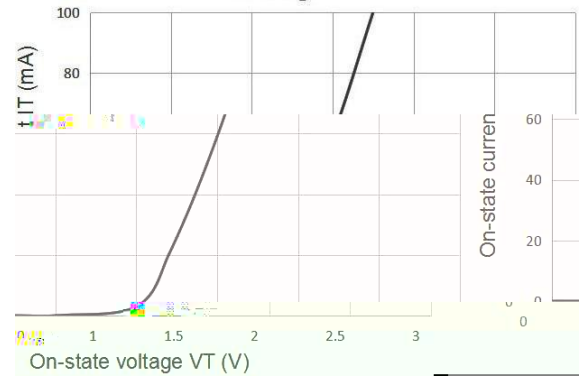


Fig.8 On-state current vs. On-state voltage



Measurement Method

The high voltage pulse is set to the required V_{PEAK} value and applied to the D.U. r. output stage through the RC circuit above. I ED current is not applied. The waveform V_T is monitored using a x100 scope probe. By varying R_T ,

