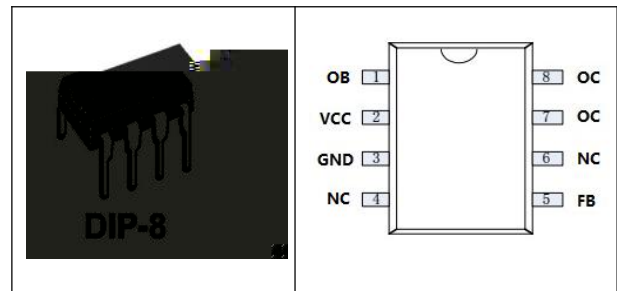


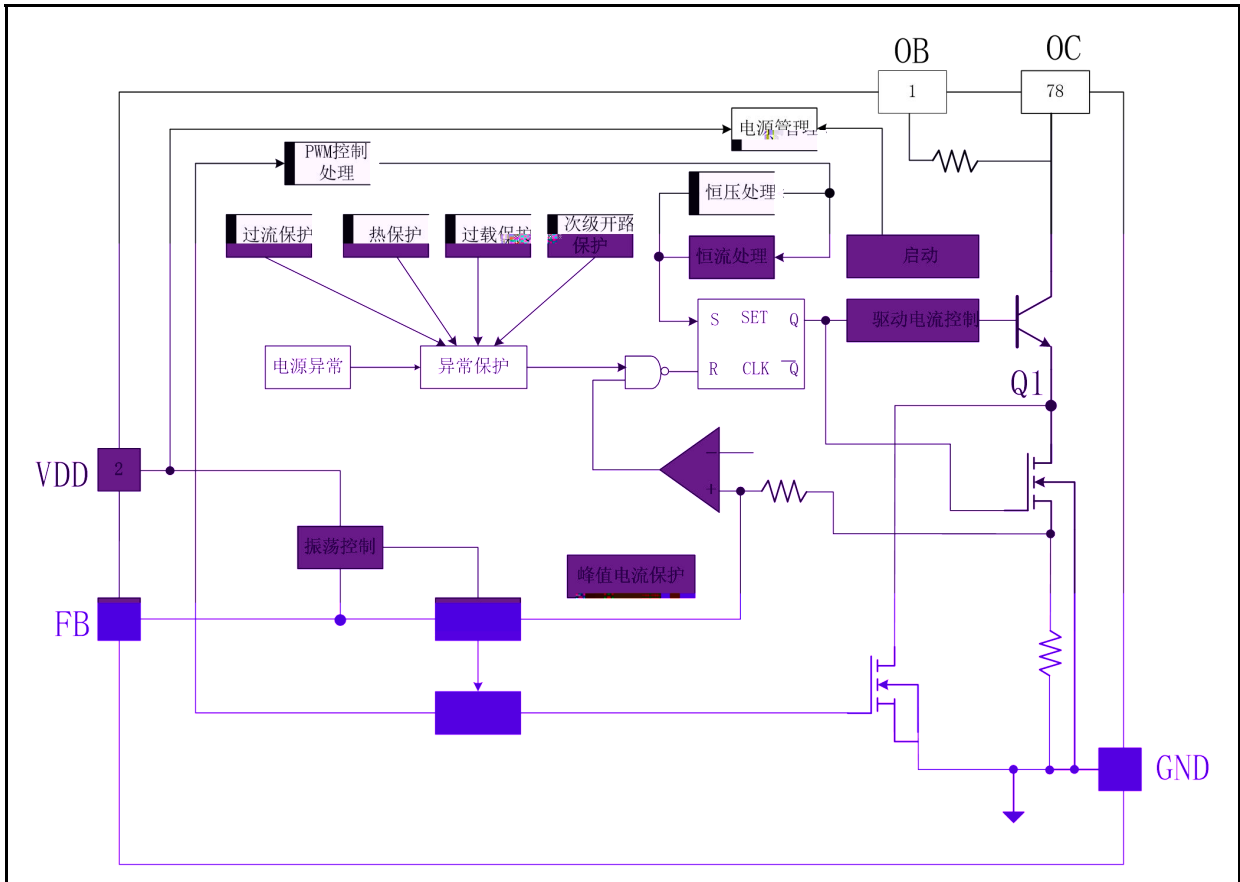
12W

- 85V 265V
- 700V
-
-
- 65KHz PWM
-
-

-
- EMI
-
- 4KV ESD
-
-
-



| | | |
|--|--|------------|
| | | |
| | | OC |
| | | 10uF 100uF |
| | | |
| | | 1nF 10nF |
| | | |
| | | |



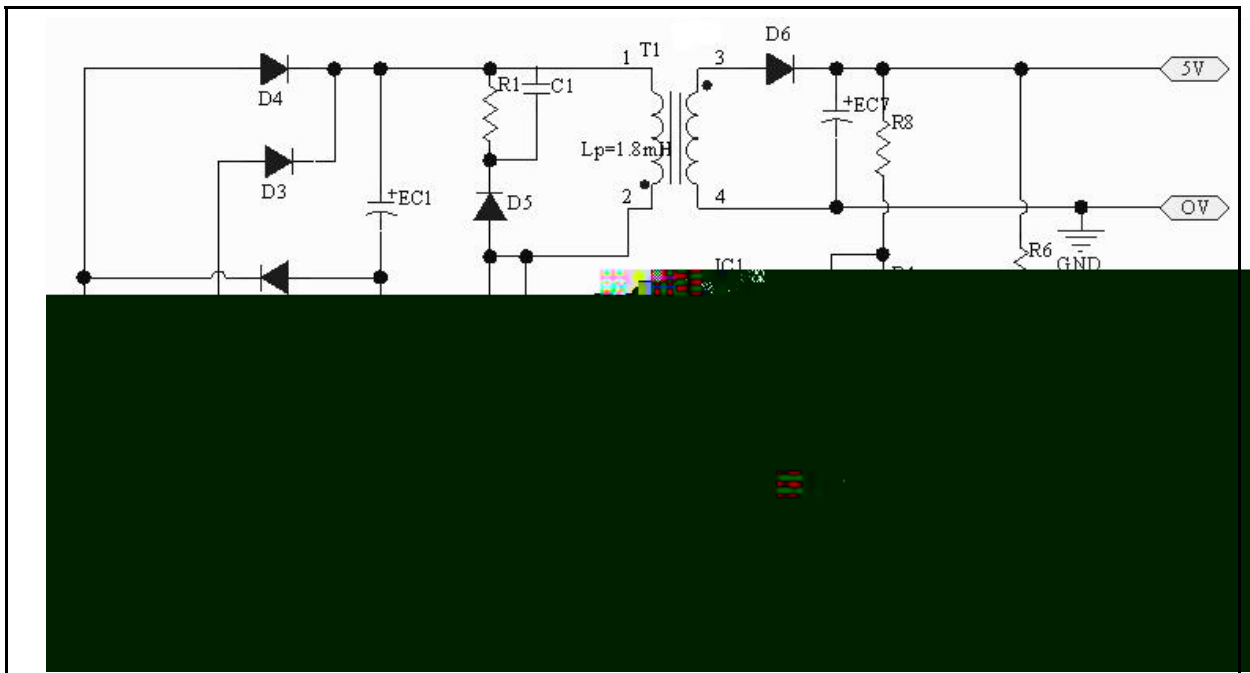
| | | | | | |
|--|--|--|--|--|--|
| | | | | | |
| | | | | | |
| | | | | | |
| | | | | | |
| | | | | | |
| | | | | | |
| | | | | | |
| | | | | | |
| | | | | | |
| | | | | | |

| | | | | | |
|-----|----|--------------|--|--|--|
| | | | | | |
| VCC | AC | 85V-----265V | | | |
| VCC | AC | 85V-----265V | | | |
| VCC | AC | 85V-----265V | | | |
| | AC | 85V-----265V | | | |
| | | | | | |
| | | | | | |
| | | | | | |
| | | | | | |
| | | | | | |
| | | | | | |
| PWM | | | | | |
| | | | | | |
| | | | | | |
| | | | | | |
| | | | | | |
| | | | | | |
| | | | | | |

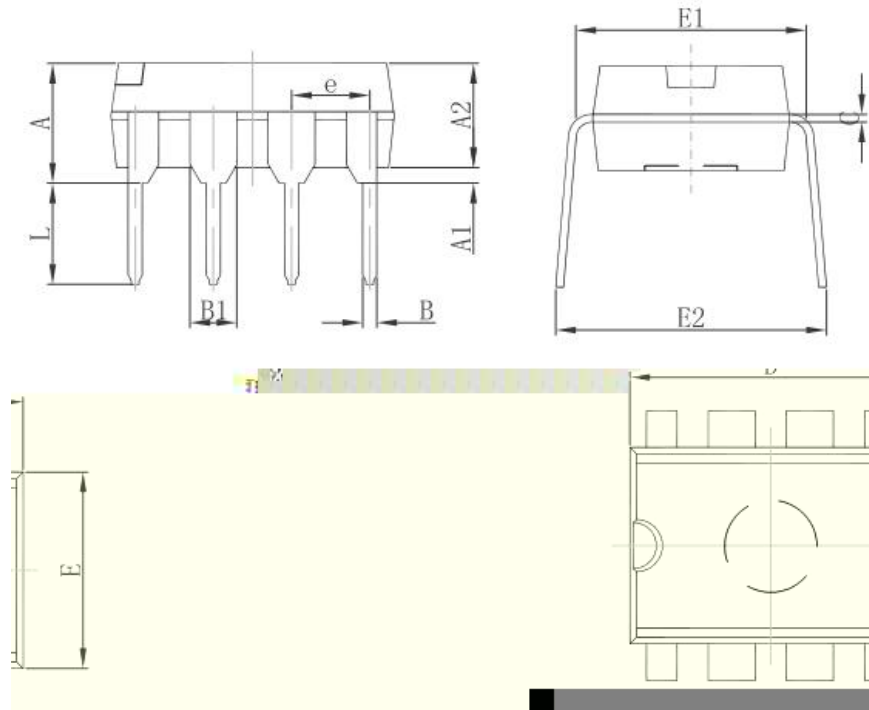
PWM

 π

FB



DIP-8

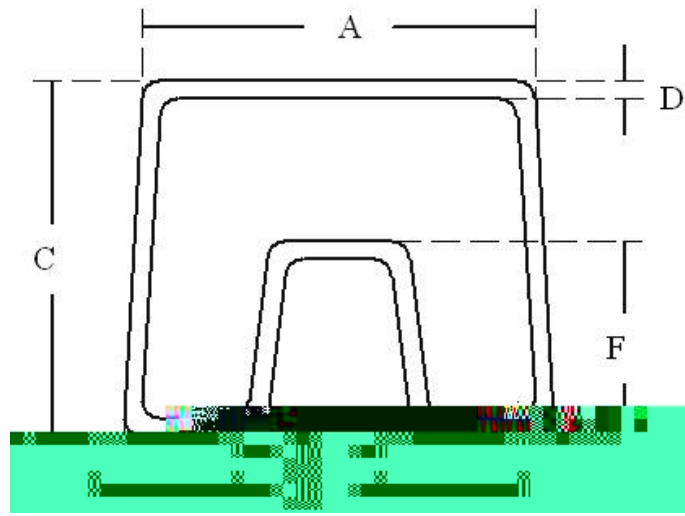


| Symbol | Dimensions In Millimeters | | Dimensions In Inches | |
|--------|---------------------------|-------|----------------------|-------|
| | Min | Max | Min | Max |
| A | 3.710 | 4.310 | 0.146 | 0.170 |
| A1 | 0.510 | | 0.020 | |
| A2 | 3.200 | 3.600 | 0.126 | 0.142 |
| B | 0.380 | 0.570 | 0.015 | 0.022 |
| B1 | 1.524(BSC) | | 0.060(BSC) | |
| C | 0.204 | 0.360 | 0.008 | 0.014 |
| D | 9.000 | 9.400 | 0.354 | 0.370 |
| E | 6.200 | 6.600 | 0.244 | 0.260 |
| E1 | 7.320 | 7.920 | 0.288 | 0.312 |
| e | 2.540(BSC) | | 0.100(BSC) | |
| L | 3.000 | 3.600 | 0.118 | 0.142 |
| E2 | 8.400 | 9.200 | 0.331 | 0.354 |

2.

DI P-8

SCP-8



| Symbol | Dimension In Millimeters |
|--------|--------------------------|
| Mi | |



-
-
-
-
-
-

-