

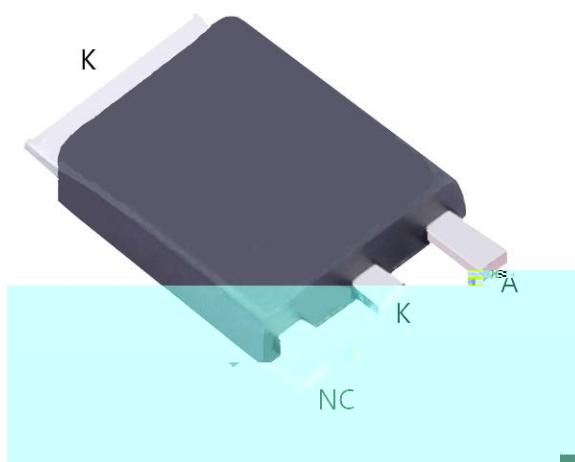
A

● B  
●  
●

●  
●  
●  
●  
●  
●  
●  
●  
●  
●

CC C

C



	C	
	A	

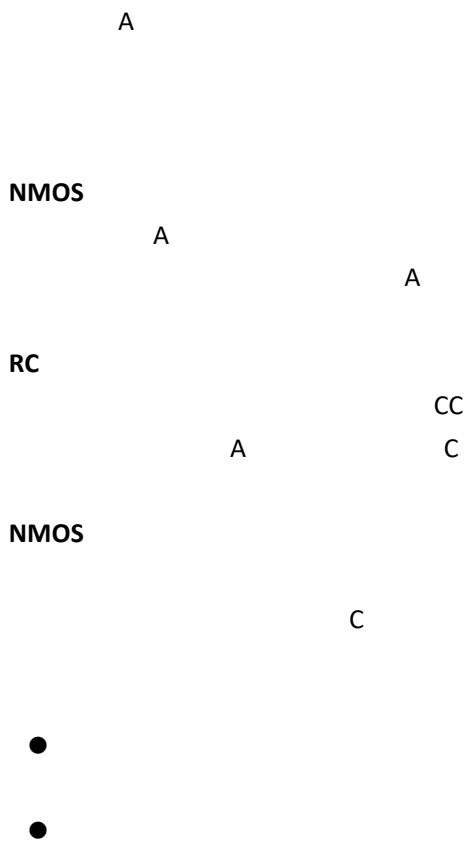


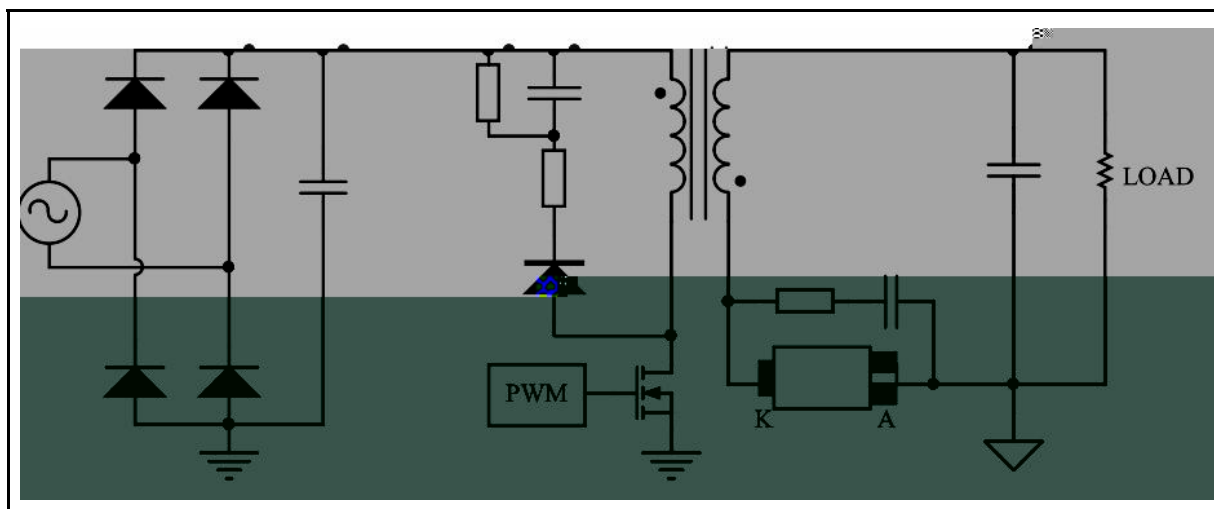
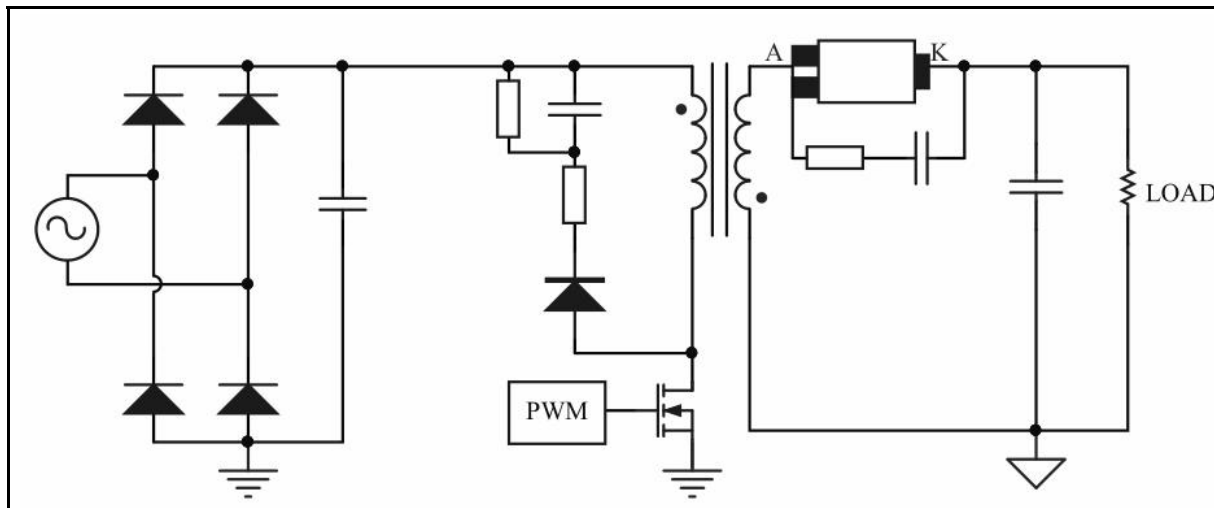
	B				
	C C				A
	C				A
	A				
	A				
	C				
B			±		
			±		

A


	CC					
	CC					
	<b>&amp;</b>					
	A					
	A					
<b>NMOS</b>						

A







 <p><b>WARNING!</b> ESD SENSITIVE DEVICE</p>	<p>ESD</p>
---	------------

- ▼
- ▼
- ▼
- ▼
- ▼
- ▼
- ▼
- ▼